

ECO 16G PARTITION

LIGHT, ROBUST AND RELIABLE.

DIEHL
Aviation

DIEHL
Aviation

SUSTAINABLE FEATURES



WEIGHT
SAVING



CO₂
SAVING

**Climbing higher.
Together.**

CHARACTERISTICS

The functionality of the new *ECO* 16G partition stays the same, but its weight has been reduced by another 10% to 15% and its installation and integration in Airbus A320 aircraft improved. Through its monolithic design and rolled aluminium inlay, the partition's ability to withstand loads has also been improved once again. The partition can be installed in all known positions in the cabin and offers great flexibility in the configuration of optional items. Diehl Aviation's goal is to always offer its customers the best performance and sustainability in all products and services.

BENEFITS

- Reduced weight
- Increased stability
- Easier handling
- Very fast manufacturing
- Can be installed in all known positions in the cabin
- High flexibility in configuring optional items

WHAT YOU GET

While the *ECO* 16G Partition looks simple in design, it is an intricately calculated, dimensioned and machined piece of modern engineering technology. Here's what you get.

1 – Partition

Milled aluminum core for best weight and cost while offering premium stability and longevity.

- a) Main panel with milled chambers
- b) Cover plate thinned out for weight reduction

2 – Stretcher Flap (Option)

Smooth and easy removal through high precision milling

3 – Attachments

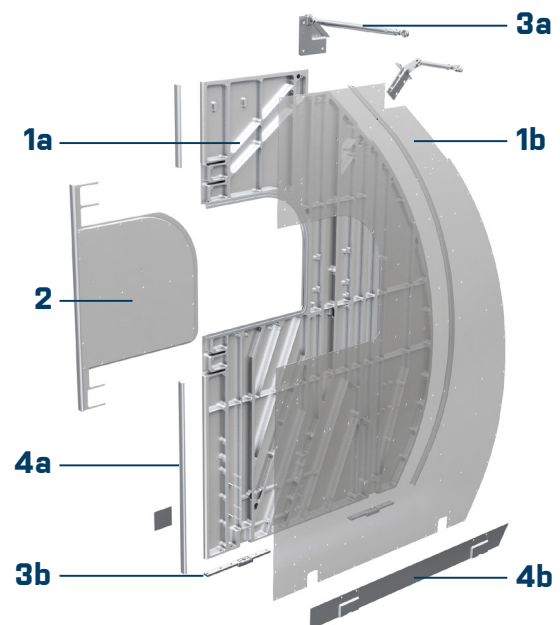
Maximum compatibility through reuse of existing attachment points.

- a) Upper tie-rod(s), 16 g double CAS capable
- b) Lower interfaces, for seat rails or fixed points

4 – Provisions

No surprises: everything you have & need today is there tomorrow. Additional provisions for CAS, emergency equipment etc. available to your needs.

- a) Edge panels for a unified cabin look & additional resilience
- b) Kick strips, long lived, damage resistant



SUSTAINABLE FEATURES*



WEIGHT
SAVING

Due to the new manufacturing technology with the optimized milled aluminum inlay the eco 16g partition saves 10-15% in comparison to a state- of-the-art partition for this position. This is approx. 8kg, assuming a baseline configuration.



CO₂
SAVING

Due to this weight saving we can estimate a fuel saving of 1,1tons per aircraft per year. This fuel saving can be converted into a saving of 3,3 tons CO₂ emission per aircraft per year.**

*More Infos about the Sustainability Features you can find here:
<https://www.highlights-diehlaviation.com/en/eco-efficiency/>

** estimated for a current generation single aisle aircraft e.g. A321, operating on medium range missions, e.g. Paris-Istanbul, with an average operating hours of 3600 per year